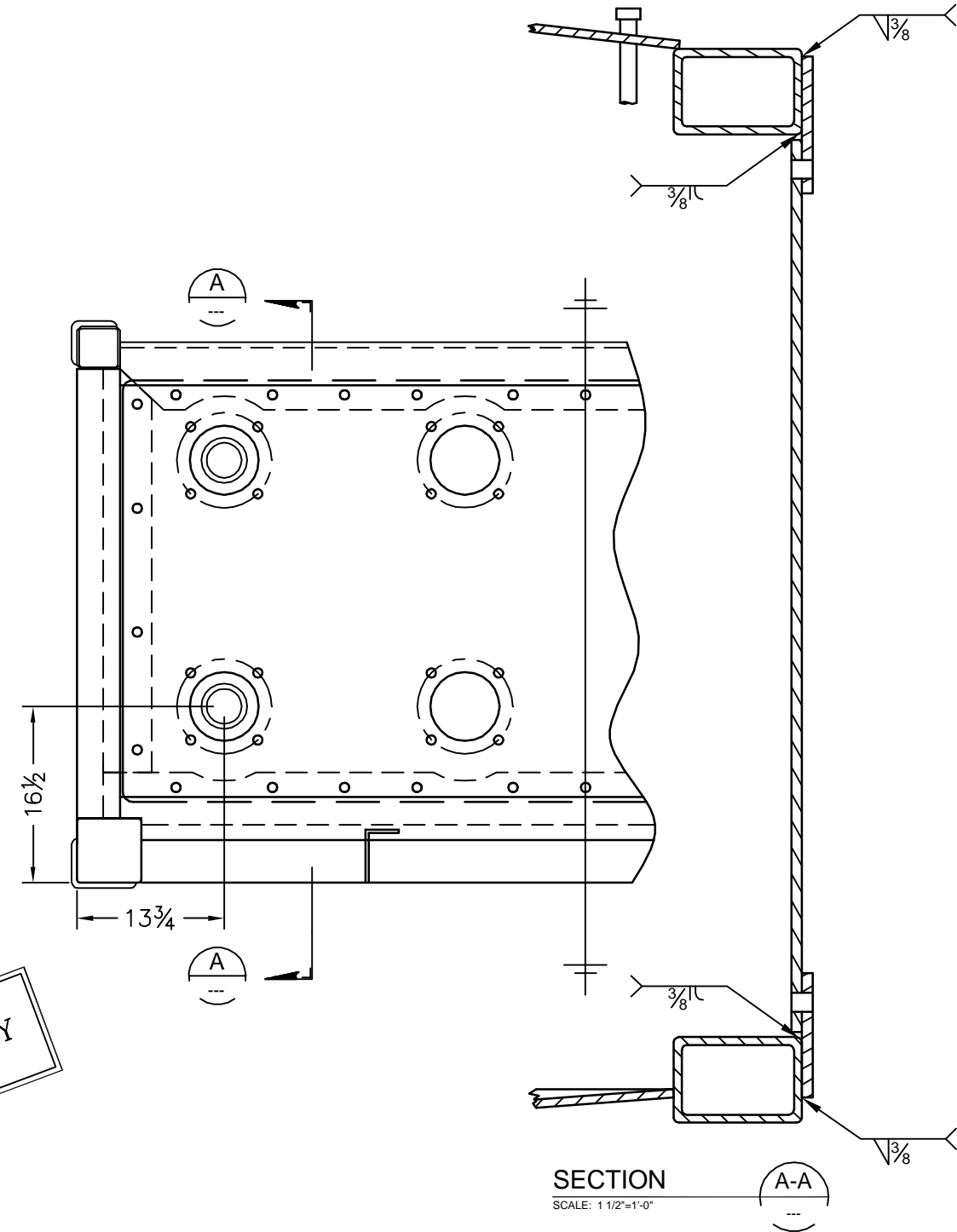
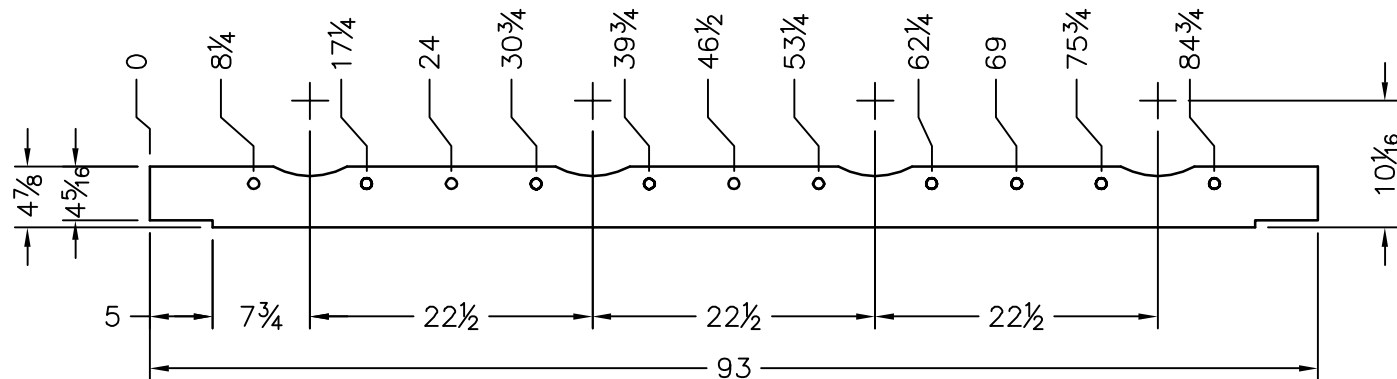
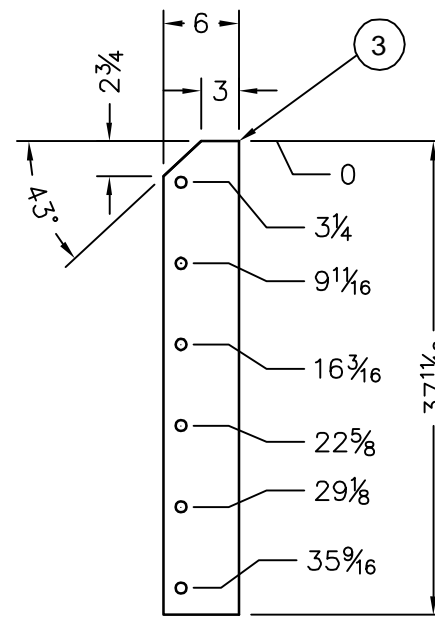
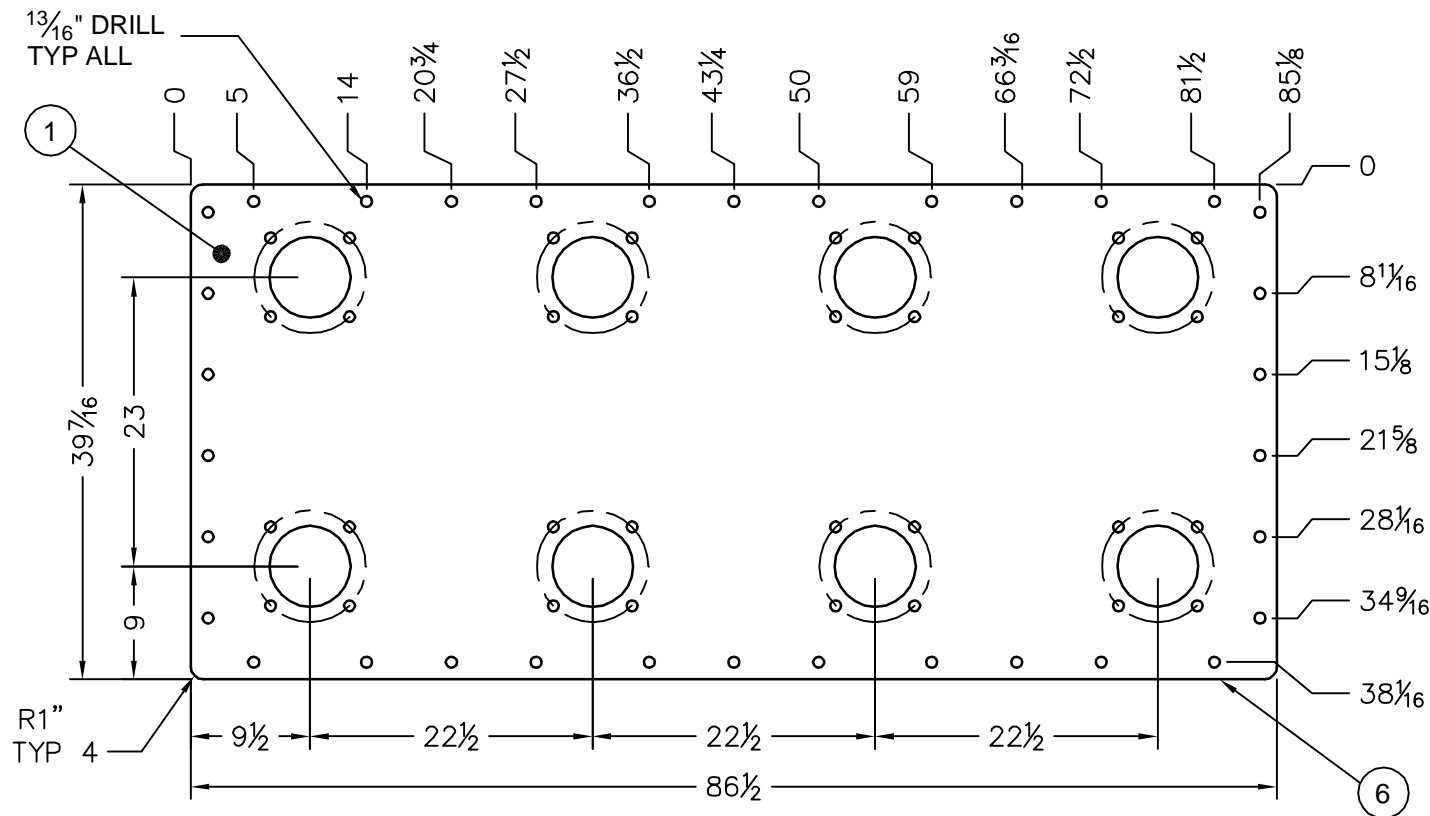
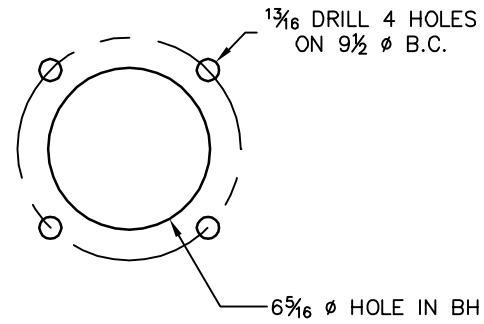
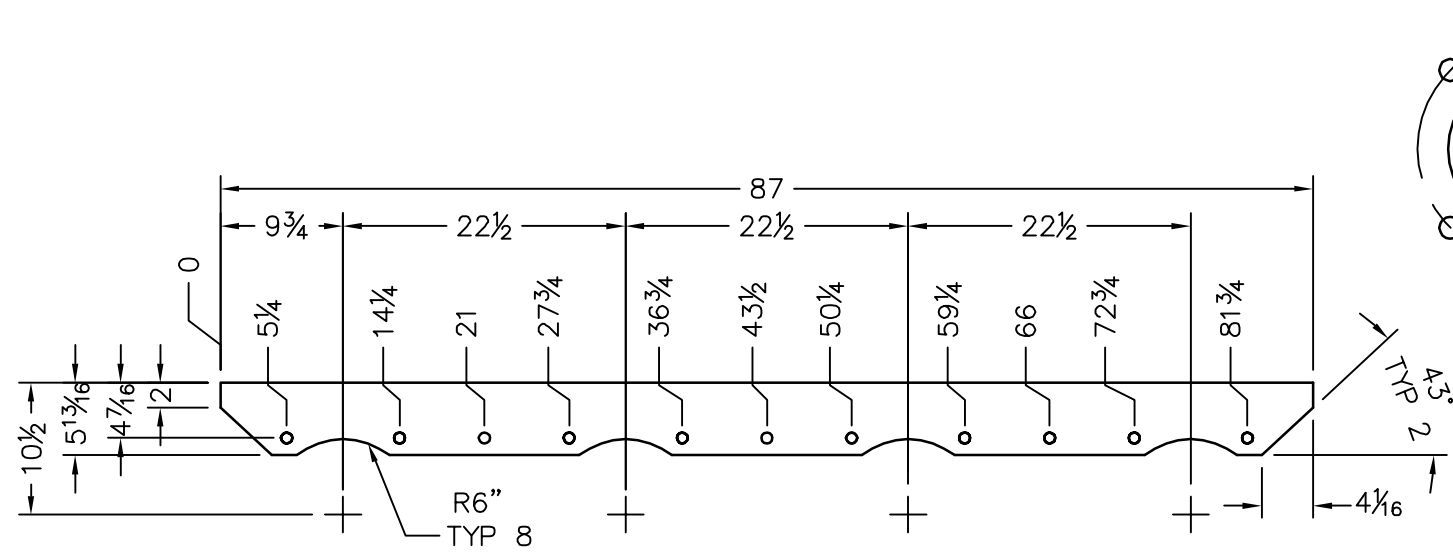


BILL OF MATERIALS

PC. NO.	QTY.	DESCRIPTION	LENGTH	REMARKS	WEIGI
1	1	BH PL 1/2 X 82 1/4 X 4 1 5/8	--		490lb
2	1	BH-BRKT PL 1/2 X 83 X 6 1/2	--		77lb
3	2	BH-BRKT PL 1/2 X 39 1/2 X 6 1/2	--		72lb
4	1	BH-BRKT PL 1/2 X 90 X 5 3/4	--		74lb
5	1	STF MC6X18	82	126lb	126lb
6	2	END CAP PL 3/16 X 6 X 3 3/8	--		2lb
--	--	BOLTS	--		

TOTAL WEIGHT 841lb



PRELIMINARY